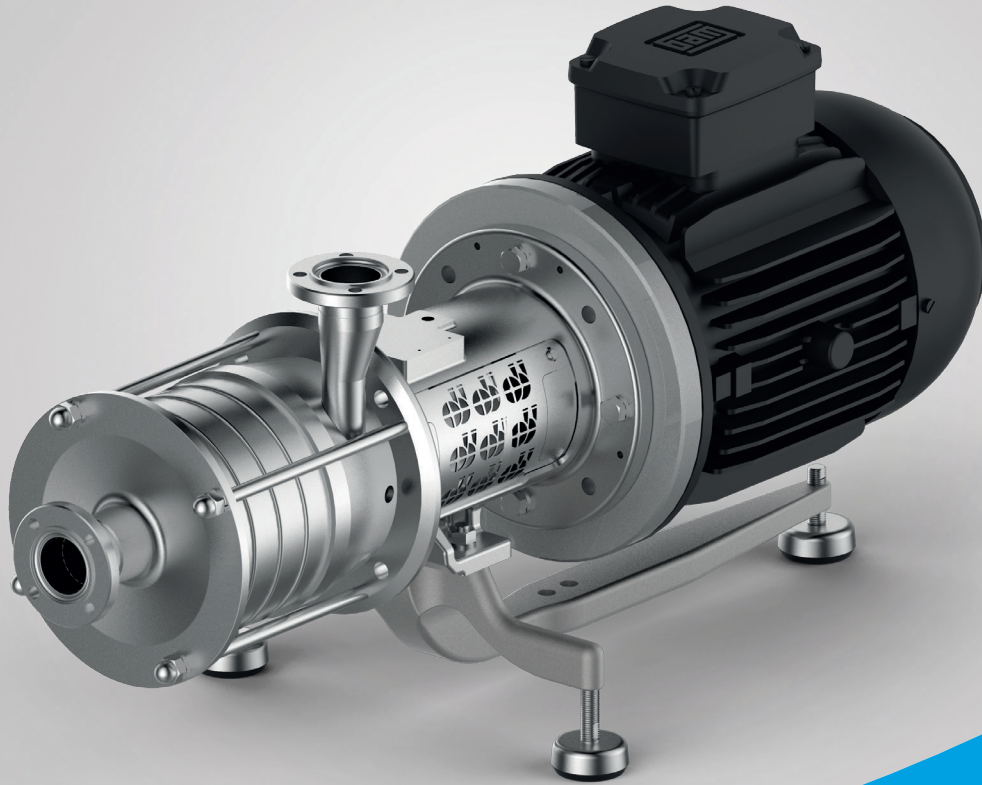


GEA VARIPUMP



# GEA Hilge CONTRA

Single- and Multi-stage Pumps  
for Advanced Applications

# Certified Safe Performance for your Demanding Processes

The GEA Hilge CONTRA range in the GEA VARIPUMP line offers single or multi-stage, end-suction centrifugal pumps designed in accordance with Qualified Hygienic Design (QHD) criteria and with EHEDG certification.

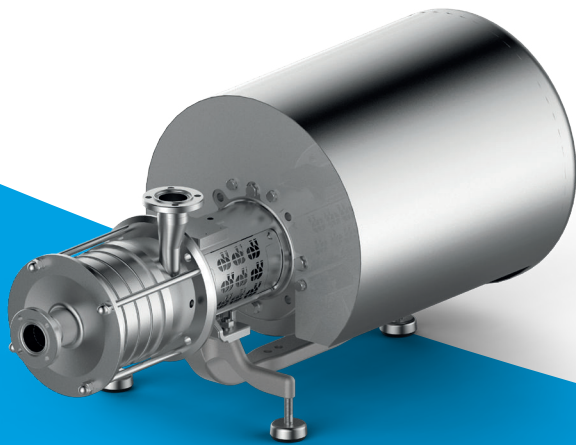
These pumps are CIP- and SIP-capable, meeting the world's highest hygiene standards. Apart from ASME and ANSI connections, a flexible range of custom connections is available upon request.

Furthermore, the pumps meet GMP requirements and use FDA-approved materials.

## High quality throughout

The pumps are constructed with the use of deep-drawn and/or forged stainless steel materials in quality AISI 316L, which guarantee a pore and blowhole-free surface, as opposed to cast material.

The GEA Hilge CONTRA range pumps have semi-open impellers, the multi-stages pumps also have open diffusors. The O-ring seal locations for the casing and impellers meet hygienic design criteria with metal-to-metal contact seal areas and no pump casing dead ends. The vertical versions of the GEA Hilge CONTRA pumps are fully self-draining through the suction port.



GEA Hilge CONTRA Adapta-SUPER

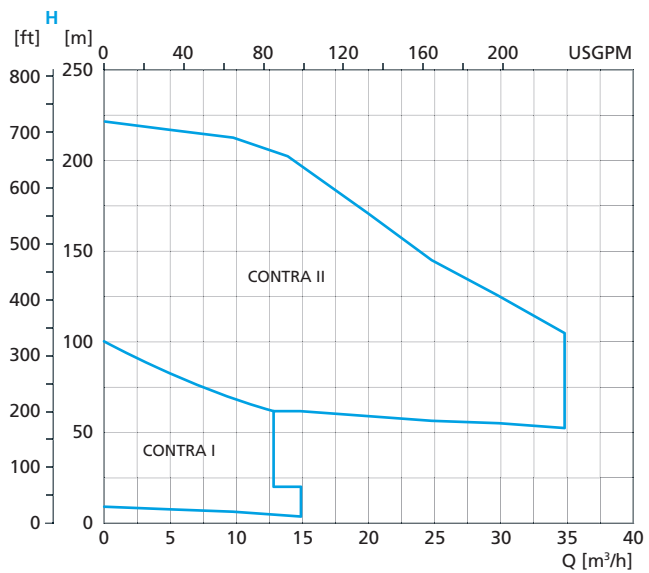
## DESIGN VARIANTS – GEA HILGE CONTRA

Standard variants	Description
GEA Hilge CONTRA Adapta	Close-coupled pump with bearing bracket and coupling, horizontal installation
GEA Hilge CONTRA Adapta-SUPER	Close-coupled pump with bearing bracket and coupling, horizontal installation, motor with stainless steel shroud
GEA Hilge CONTRA Adapta-V	Close-coupled pump with bearing bracket and coupling, vertical installation
GEA Hilge CONTRA Bloc	Close-coupled pump, horizontal installation
GEA Hilge CONTRA Bloc-SUPER	Close-coupled pump, horizontal installation, motor with stainless steel shroud
GEA Hilge CONTRA Bloc-V	Close-coupled pump, vertical installation
Variations upon request	Description
GEA Hilge CONTRA tronic	Horizontal/vertical installation, motor with built-in frequency converter (up to 24.8 hp)

## TECHNICAL DATA

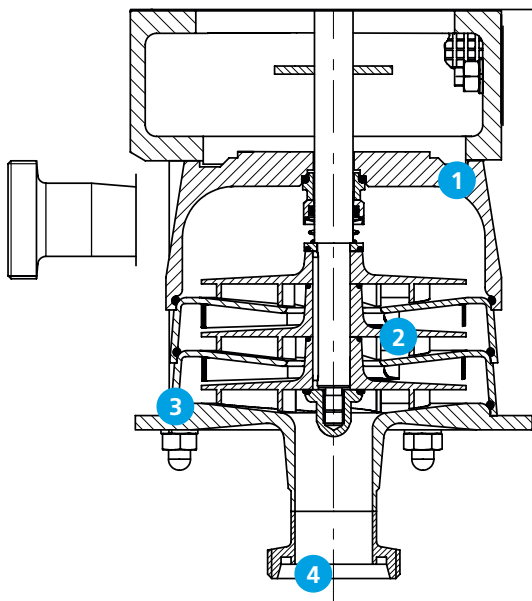
GEA Hilge CONTRA	60 Hz
Flow	154 gpm (35 m <sup>3</sup> /h)
Head	754 ft (230 m)
Liquid temperature	up to 203°F (95°C), 302°F (150°C) (SIP)
Operating pressure	362 psi (25 bar)

## GEA CONTRA PERFORMANCE CURVE 60 HZ





## FEATURES AND BENEFITS



### 1 No dead ends

The pumps comply with the most stringent hygienic demands to prevent contamination

### 2 All wetted parts are electro-polished

High corrosion resistance and surface finish

### 3 Fully drainable

Quick and easy cleaning at vertical position

### 4 Multiple flange options

Easily adaptable in any system

### A variety of applications

The GEA Hilge CONTRA pumps offer extremely reliable operation under tough operating conditions. Their hygienic design and the use of pore-free materials make them suitable for:

#### Food & beverage

- Carbonation in breweries
- CIP supply

#### Pharmaceutical industry

- Pumping of pure water (WFI)
- Biotech production
- Infusions (nutrient solutions, alcohol)
- Filling stations

#### Personal care

- Soap
- Creme
- Lotions

#### Industry

- CIP systems
- Water technology processes
- Semiconductor production
- Metal surface treatment



### Certificates and documents

- FDA and EHEDG certificates
- Surface roughness measurement

### Shaft Seals – Choose the one to suit you

A wide range of shaft seal options is available to suit different media and applications. The mechanical seals used in the GEA Hilge CONTRA range are single inboard seals that maintain the optimum position in the liquid.

This ensures lubrication cooling, CIP and SIP in full accordance with the criteria of hygienic design.

### Choices include

- Sterile single mechanical seal
- Double mechanical seals (tandem or back-to-back)
- Standard seal face material: carbon/stainless steel and SiC/SiC
- Standard O-ring material: EPDM (FDA-compliant)
- Additional designs and materials available upon request

### Customized solutions

Custom solutions are a highlight of the GEA Hilge CONTRA pump range. The range of these single and multi-stage sanitary pumps lets you choose between several configurations to suit your task.



*GEA Hilge CONTRA Adapta vertical*



## We live our values.

Excellence • Passion • Integrity • Responsibility • GEA-versity

GEA is a global technology company with multi-billion euro sales operations in more than 50 countries. Founded in 1881 the company is one of the largest providers of innovative equipment and process technology. GEA is listed in the STOXX® Europe 600 Index. In addition, the company is included in selected MSCI Global Sustainability Indexes.

### GEA North America

33 McAlister Farm Road  
Portland, ME 04103  
Toll-Free 866 531 5629  
Fax 207 878 7914

### GEA Canada

5045 South Service Road, Suite 201  
Burlington, Ontario L7L 5Y7  
Tel 289 288 5500

Email [sales.unitedstates@gea.com](mailto:sales.unitedstates@gea.com)  
[gea.com](http://gea.com)